

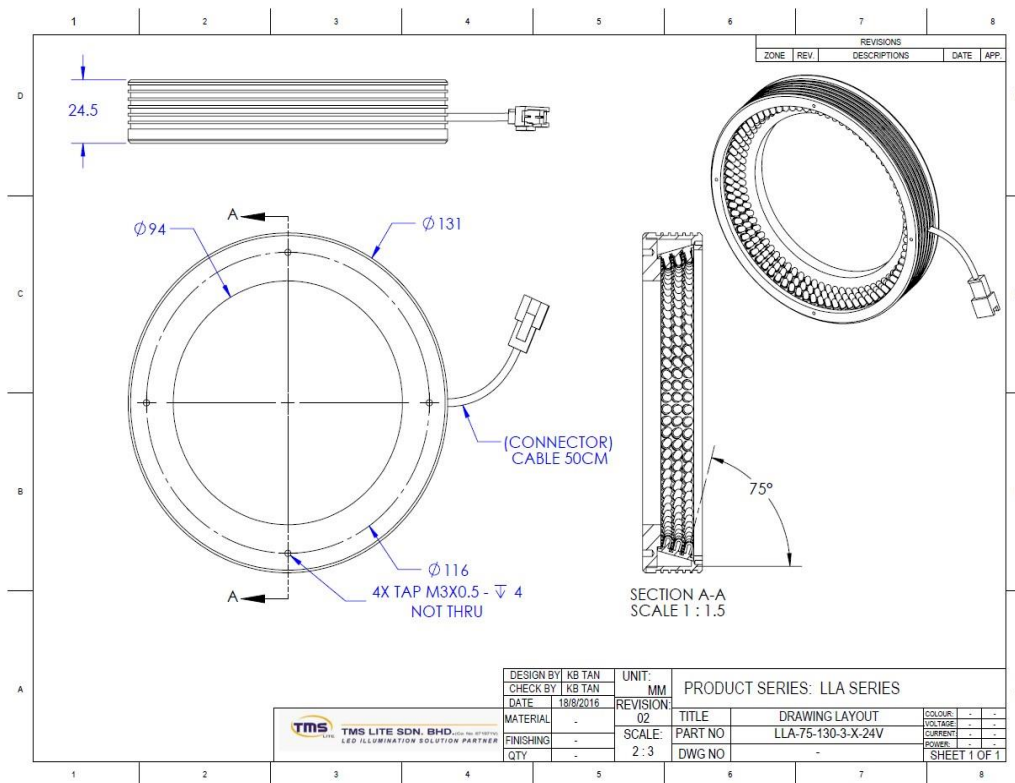


OPTO ENGINEERING

ILLUMINATOR DATA

LTZZ0130-75-3-R-24V

Lighting Dimension



Mechanical Information

Casing Material	Aluminium
Storage Temperature Range	0 - 45°C
Storage Humidity Range	20 - 85%
Weight	260 g
Length / Outer Diameter	131 mm
Width / Inner Diameter	94 mm
Thickness / Height	24.5 mm



OPTO ENGINEERING

ILLUMINATOR DATA

LTZZO130-75-3-R-24V

Lighting Information			
Part Number	LTZZO130-75-3-R-24V		
LED Color	RED		
Wavelength	630nm		
Working Distance	5	10	15
Intensity (±15%)	70432lx	51262lx	23146lx
Illumination (number of row)	3		
Illumination Active Area	Active Length / Outer Dia.	118mm	
	Active Width / Inner Dia.	94mm	
Emission angle	0		
Eye Safety Class (IEC62471)	EXEMPT		
Chromaticity Table For White colour only	Nil		

Electrical Information	
Rated Constant Voltage	24V±2%
Rated Constant Current	420mA
Power Consumption	10.08W
Casing temperature, After 60 minutes operation	51.5 °C

Strobe Mode Specification		
*Normal Strobe Voltage	24 V	
*Normal Strobe Current	420mA	
Overdrive Voltage Range	Min: 36V	Max: 48V
Overdrive Current Range	Min: 1.53 A	Max: 2.55 A
Recommended Overdrive Voltage	36V	
**Max. Trigger Pulse Duration	10 msec	
**Max. Duty Cycle	10%	

*Normal strobe means the lighting is operated using the rated power. Overdrive means the power supplied to the lighting exceeded the rated power.


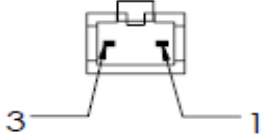
**Overdrive condition must not exceed the max. trigger pulse duration and max. duty cycle.



OPTO ENGINEERING

ILLUMINATOR DATA

LTZZ0130-75-3-R-24V

Connection Information			
Connector Type (Default)	JST SMR-03V		
Cable Length	50 cm		
Pin Configuration 	Pin	Signal	Cable Colour
	1	LED +	Red
	2	N.C	-
	3	LED -	White
			

Additional Information	
Additional Cooling Method	Attached to machine part for better heat dissipation
Intensity Controller Selection	SD, ST, ANG, LC, SDA, SDP series
CE Conformity	YES
RoHS Compliance	YES

Application	
Illumination Type	DIRECT ILLUMINATION
Application Use	Edge Detection, Scratched On Metal or Glossy Surface



OPTO ENGINEERING

ILLUMINATOR DATA

LTZZ0130-75-3-R-24V

Lighting Pattern				
Working Distance	10MM			
Display and Image				
Data Results	Horizontal	Meas.(mm)	Vertical	Meas.(mm)
	90%	12	90%	12
	80%	16	80%	17
	70%	21	70%	21
	60%	25	60%	25
	50%	31	50%	31
	40%	39	40%	38
	30%	57	30%	55
	20%	113	20%	113
	10%	124	10%	123
	Max	Meas.(cd/m2)		
		13485.207		